

## COMPANY PROFILE

**S. S. ENGINEERING** is in the field of Manufacturing & Exporting of Chemical Processing equipments for the past three decades providing innovative & cost effective solutions to the Machinery & Equipment needs of various industries viz.

- **BULK DRUGS**
- **PLASTICS**
- **FOOD PROCESSING**
- **POLYMERS**
- **CHEMICALS**
- **ADHESIVES & COATINGS**



### Our product range includes

- **REACTION VESSEL (JACKETED & LIMPET)**
- **HEAT EXCHANGERS (CONDENSOR)**
- **STORAGE TANKS**
- **MIXERS**
- **BLENDERS**
- **FILTERS**
- **EVAPORATORS**
- **DRYERS (DRUM DRYERS)**
- **CENTRIFUGES (HYDRO EXTRACTOR)**
- **DISTILLATION PLANTS**
- **DISTEMPER PAINT PLANT**

### We undertake turnkey project for

**BULK DRUG PLANT, POLYESTER RESIN PLANT, PHENOL FORMALDEHYDE RESIN PLANT, DISTEMPER PAINT PLANT, CATIONIC BITUMEN EMULSION PLANT, PVA/ALKYD RESIN PLANT**

We also undertake development of various equipments as per Customers drawings, design and or Specifications.

We have full fledged production set-up comprising of Pyramid type Plate & Pipe Bending machines, Coil forming Hydraulic Press, Center Lathes, Drill, Air Plasma, TIG/MIG Welding Rectifiers, Hydraulic Testing Machine etc.

We have good teams of qualified production personnel comprising of qualified X-ray welders, fitters, engineers, working under quality conscious skilled supervisor.

We assure timely execution of work entrusted to us maintaining optimum quality of workmanship giving reliable and trouble free performance of the Machines manufactured by us.

## CENTRIFUGE

### MANUAL TOP DISCHARGE CENTRIFUGE

S.S.Engineering, Manual Top Discharge type of Centrifuge is the basic type of Centrifuge for solid liquid separation. It contains Basket which is dynamically balanced in which a filter bag is placed which retains the solid within the basket. The discharge of the solid cake is from the top which is done manually. It is a three point suspension under driven centrifuge.

The main parts of the Centrifuge are Bearing and Shaft, Basket, Drive and Brake.

### BEARING AND SHAFT

Heavy duty bearing is chosen to withstand vibratory load and centrifugal forces duly fitted in bearing housing. The bearing housing is so designed and filled with grease ensuring long maintenance free performance. The shaft is made up of suitable material and duly balanced independently without the basket for higher accuracy.

### BASKET

The basket is made up of adequate thickness so as to withstand the loads caused by the centrifugal forces developed by material in the basket. It is perforated and duly balanced. The basket bottom is made up of Mild Steel and lined at the inner surface by Rubber or Stainless Steel as required.

### DRIVE

The drive consists of Motor mounted at the basket casing driven through V Belt with provision of tensioning the belts. Model SS- 24" & SS -36" centrifuges are fitted with Mechanical Clutch pulley at the motor shaft. Model SS- 48" & SS- 60" centrifuges are fitted with Fluid Coupling pulley at the motor shaft.

### BRAKE

The Centrifuges are fitted with external shoe brake with brake liners. The brakes are heavy duty type designed to bring loaded basket to stop quickly.

### MATERIAL OF CONSTRUCTION

The Centrifuge Material of Construction is Carbon Steel, Stainless Steel and Rubber lined.



**FLUID COUPLING**

### TECHNICAL SPECIFICATIONS

MODEL	SS-24	SS-36	SS-48	SS-60
Basket Diameter mm	600	900	1,200	1,500
Depth mm	300	425	500	500
Max. Basket Revolution RPM	1,000	1,000	900	800
Filtration Area Mtrs <sup>2</sup> Area	0.56	1.2	1.88	2.36
Motors H. P.	3	7.5	15	20
Rated charge in Basket Ltrs.	50	140	280	400

**Note : We reserve the right to change size and designed features.**

## CENTRIFUGE

### BOTTOM DISCHARGE CENTRIFUGE

S.S.Engineering, Bottom Discharge type of Centrifuge is the basic type of Centrifuge almost like Top Discharge centrifuge for solid liquid separation. It contains Basket which is dynamically balanced in which a filter bag is placed which retains the solid within the Basket. The arrangement for the discharge of the solid cake is provided at the bottom which is done manually. The discharge of solid cake is quick thereby saves on time and labour. It is a three point suspension under driven Centrifuge.

The main parts of the Centrifuge are Bearing and Shaft, Basket, Drive and Brake.



### BEARING AND SHAFT

Heavy duty bearing is chosen to withstand vibratory load and centrifugal forces duly fitted in bearing housing. The bearing housing is so designed and filled with grease ensuring long maintenance free performance. The shaft is made up of suitable material and duly balanced independently without the basket for higher accuracy.

### BASKET

The basket is made up of adequate thickness so as to withstand the loads caused by the centrifugal forces developed by material in the basket. It is perforated and duly balanced. The basket bottom is made up of Mild Steel and lined at the inner surface by Rubber or Stainless Steel as required.

### DRIVE

The drive consists of Motor mounted at the basket casing driven through V Belt with provision of tensioning the belts. Model SS- 24" & SS -36" centrifuges are fitted with Mechanical Clutch pulley at the motor shaft. Model SS- 48" & SS- 60" centrifuges are fitted with Fluid Coupling pulley at the motor shaft.

### BRAKE

The Centrifuges are fitted with external shoe brake with brake liners. The brakes are heavy duty type designed to bring loaded basket to stop quickly.



**FLUID COUPLING**

### MATERIAL OF CONSTRUCTION

The Centrifuge Material of Construction is Carbon Steel, Stainless Steel and Rubber lined.

### TECHNICAL SPECIFICATIONS

MODEL	SS-24	SS-36	SS-48	SS-60
Basket Diameter mm	600	900	1,200	1,500
Depth mm	300	425	500	500
Max. Basket Revolution RPM	1,000	1,000	900	800
Filtration Area Mtrs <sup>2</sup> Area	0.56	1.2	1.88	2.36
Motors H. P.	3	7.5	15	20
Rated charge in Basket Ltrs.	50	140	280	400

**Note : We reserve the right to change size and designed features.**

## CENTRIFUGE

### BAG LIFTING TOP DISCHARGE CENTRIFUGE

S.S.Engineering, Bag Lifting Top Discharge type of Centrifuge is the basic type of Centrifuge for solid liquid separation. It contains Basket which is dynamically balanced in which a filter bag is placed which retains the solid within the Basket. This bag can be lifted using chain pulley manually or motorised mode. Thus the discharge of solid cake is instant and fast, facilitating faster batch with less labour Involved.

The main parts of the Centrifuge are Bearing and Shaft, Basket, Drive and Brake.

### BEARING AND SHAFT

The Heavy duty bearing is choosed to withstand vibratory load and centrifugal forces duly fitted in bearing housing. The bearing housing is so designed and filled with grease ensuring long maintenancefree performance. The shaft is made up of suitable material and duly balanced independently without the .basket for higher accuracy.

### BASKET

The basket is made up of adequate thickness so as to withstand the loads caused by the centrifugal forces developed by material in the basket. It is perforated and duly balanced. The basket bottom is made up of Mild Steel and lined at the inner surface by Rubber or Stainless Steel as required.

### DRIVE

The drive consists of Motor mounted at the basket casing driven through V Belt with provision of tensioning the belts. Model SS- 24" & SS -36" centrifuges are fitted with Mechanical Clutch pulley at the motor shaft. Model SS- 48" & SS- 60" centrifuges are fitted with Fluid Coupling pulley at the motor shaft.

### BRAKE

The Centrifuges are fitted with external shoe brake with brake liners. The brakes are heavy duty type designed to bring loaded basket to stop quickly.

### MATERIAL OF CONSTRUCTION

The Centrifuge Material of Construction is Carbon Steel, Stainless Steel and Rubber lined.



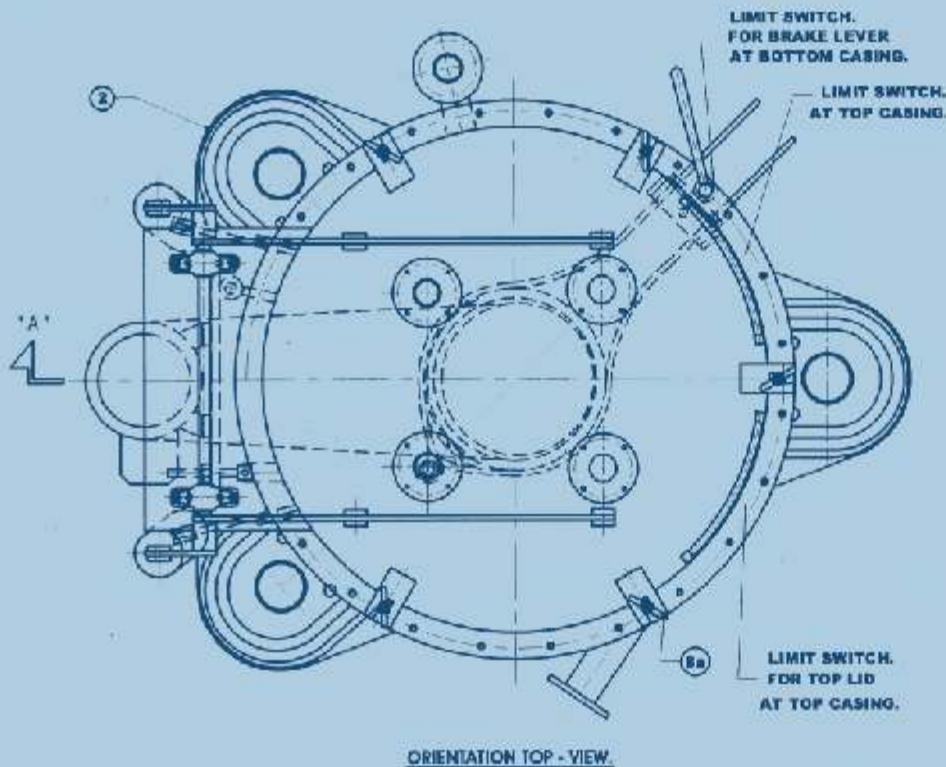
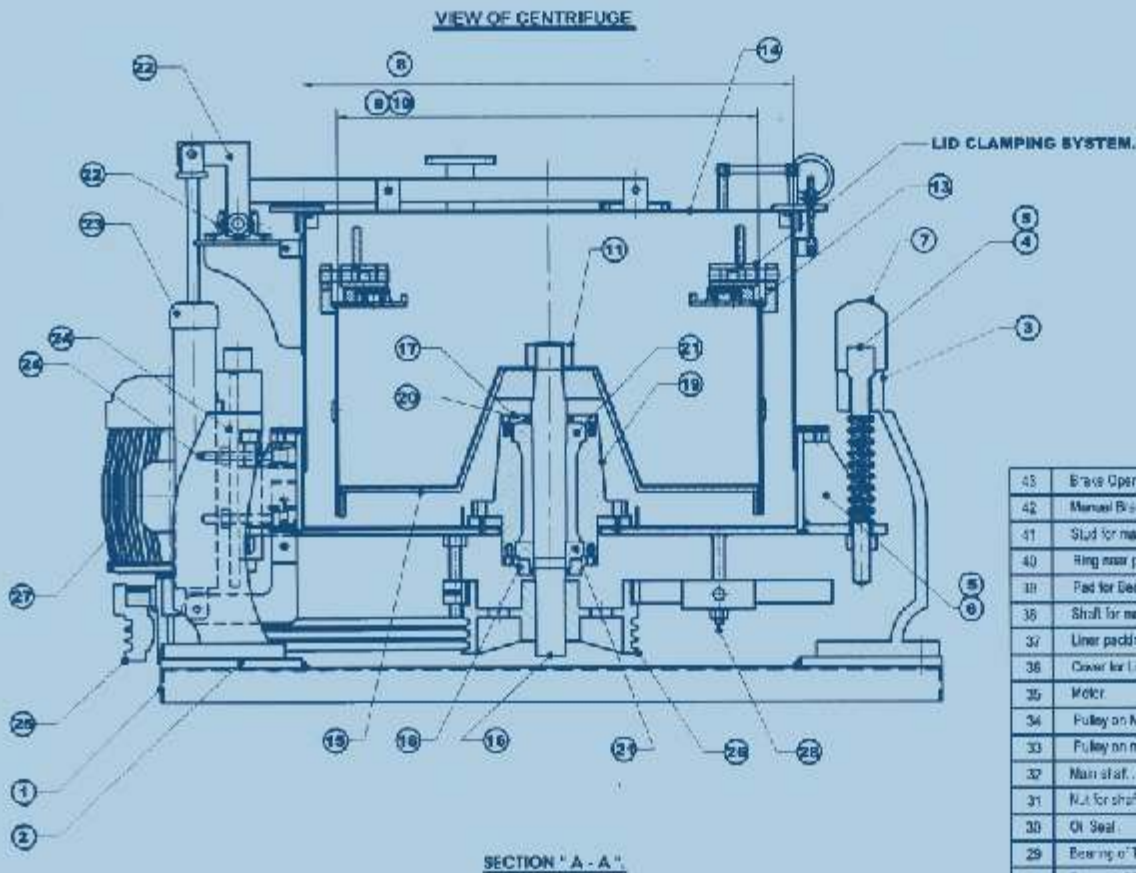
**FLUID COUPLING**

### TECHNICAL SPECIFICATIONS

MODEL	SS-24	SS-36	SS-48	SS-60
Basket Diameter mm	600	900	1,200	1,500
Depth mm	300	425	500	500
Max. Basket Revolution RPM	1,000	1,000	900	800
Filtration Area Mtrs <sup>2</sup> Area	0.56	1.2	1.88	2.36
Motors H. P.	3	7.5	15	20
Rated charge in Basket Ltrs.	50	140	280	400

**Note : We reserve the right to change size and designed features.**

## BAG LIFTING TOP DISCHARGE CENTRIFUGE



43	Brake Operating Device	M.S.
42	Manual Brake Device	M.S.
41	Stud for manual brake	M.S.
40	Ring gear part	SA 240 GR : 315
39	Pad for Bearing Housing	M.S.
38	Shaft for motor	M.S.
37	Liner packing	Liner
36	Cover for Liner packing	M.S.
35	Motor	STD.
34	Pulley on Motor	C.I.
33	Pulley on main shaft	C.I.
32	Main shaft	M.S.
31	Nut for shaft	M.S.
30	Oil Seal	STD.
29	Bearing of Top side	STD.
28	Bearing of Bottom side	STD.
27	Oil Seal	STD.
26	Bearing Housing	C.I.
25	Bottom Brg. Hsg. cover	M.S.
24	Top Brg. Hsg. cover	M.S.
23	Inner Basket/ Base plate & Fosse Cone	IS:2062/IS:316/304
22	Bracket for Spring Cylinder	IS : 2062
21	Stud for Bush of base plate	M.S.
20	Bush for Stud of base plate	M.S.
19	Plats for bolting base plate	M.S.
18	Bolts for Locking base plate	M.S.
17	Base Plate of Motor	IS : 2062
16	Spring (if need for Lower)	SA 240 GR:304
15	Bearings for Lower for top Basket Casing	STD.
14	Pedestal for Lever for top Basket Casing	STD.
13	Liner for top Basket Casing	SA 240 GR:305 / 316
12	Top Casing Lid	SA 240 GR:304 / 316
11	Gasket for top casing Lid	PTFE
10 b	Inner Basket Lid Locking	SA 240 GR : 316 / 304
10 a	Inner Basket Lid	SA 240 GR : 316 / 304
10	Inner Basket	SA 240 GR : 316 / 304
9	Basket Casing ( Bottom )	IS 2062/IS : 316 / 304
8	Basket Casing ( Top )	SA 240 GR : 316 / 304
7	Leg Cap	SA 240 GR : 204
6	Suspension Legs	IS : 2062
5	Suspension Rod Spring	M.S.
4	Suspension Rod	M.S.
3	Legs	C.I.
2	Long base plate	IS : 2062
1	Tri Angular Machine Base Frame	M.S.
No.	DESCRIPTION	MATERIAL

## CENTRIFUGE

