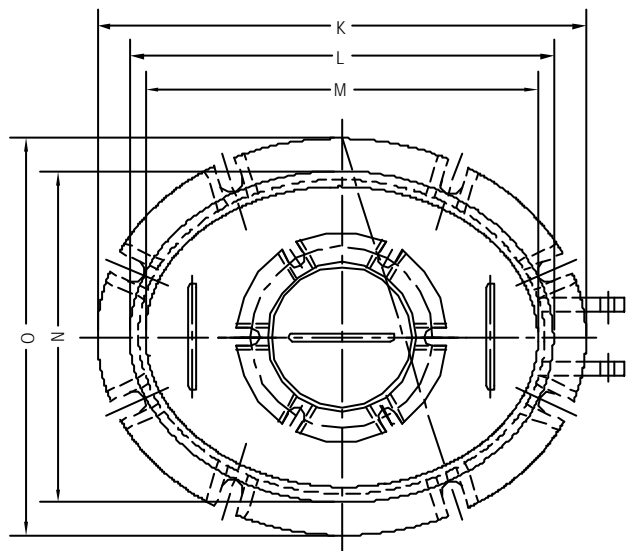
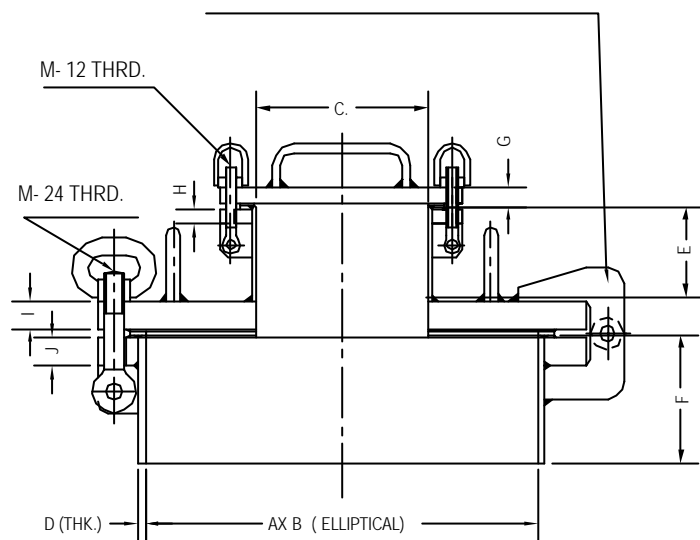
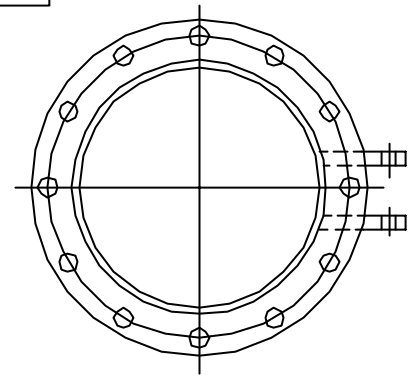
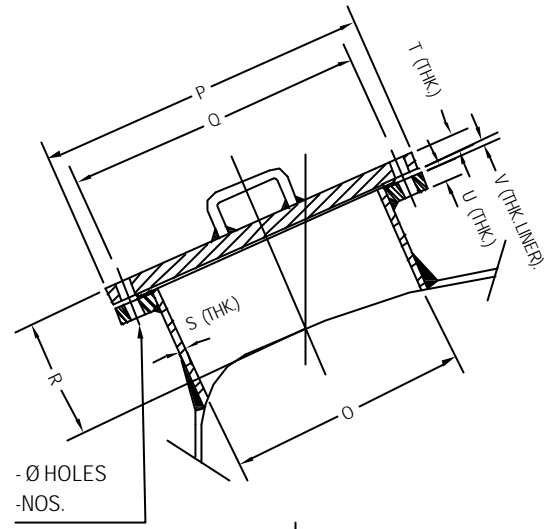




2 NOS HINGE PLATES OF 16 THK.
WITHOUT SIDE 58 M.M. WIDE
AND WITH SLOTTED HOLE 23 X 35 LONG.




DETAIL OF MAN - HOLE



DETAIL OF MAN - HOLE

COOLING AREA	A	B	C	D	E	F	G	H	I	J	K	L
	M	N	O	P	Q	R	S	T	U	V	W	X

6	LINER.	<input type="checkbox"/> SA240Gr:316	<input type="checkbox"/> SA240Gr:304	
5	LINER.	<input type="checkbox"/> NOT REQUIRED	<input type="checkbox"/> REQUIRED	
4	STUD AND NUT	<input type="checkbox"/> SA240Gr:316	<input type="checkbox"/> SA240Gr:304	<input type="checkbox"/> M.S.
3	HINGE PLATES	<input type="checkbox"/> SA240Gr:316	<input type="checkbox"/> SA240Gr:304	<input type="checkbox"/> M.S.
2	FLANGE	<input type="checkbox"/> SA240Gr:316	<input type="checkbox"/> SA240Gr:304	<input type="checkbox"/> M.S.
1	SHELL.	<input type="checkbox"/> SA240Gr:316	<input type="checkbox"/> SA240Gr:304	<input type="checkbox"/> M.S.
NO.	DESCRIPTION.	MATE.	MATE.	MATE.



S . S . ENGINEERING

FAC. & OFF. :- C 1-B, HATKESH UDYOG NAGAR, KASHI MIRA -
BHAYANDAR ROAD, MUMBAI-401 104.

TELE. :- (0) :- 2811 15 41
: 2813 16 48
FAX.No (91-22) 2812 54 78

CLIENT :-

TITLE :-DETAIL OF MAN - HOLE

ENQ.No. :- **DATE. :-**