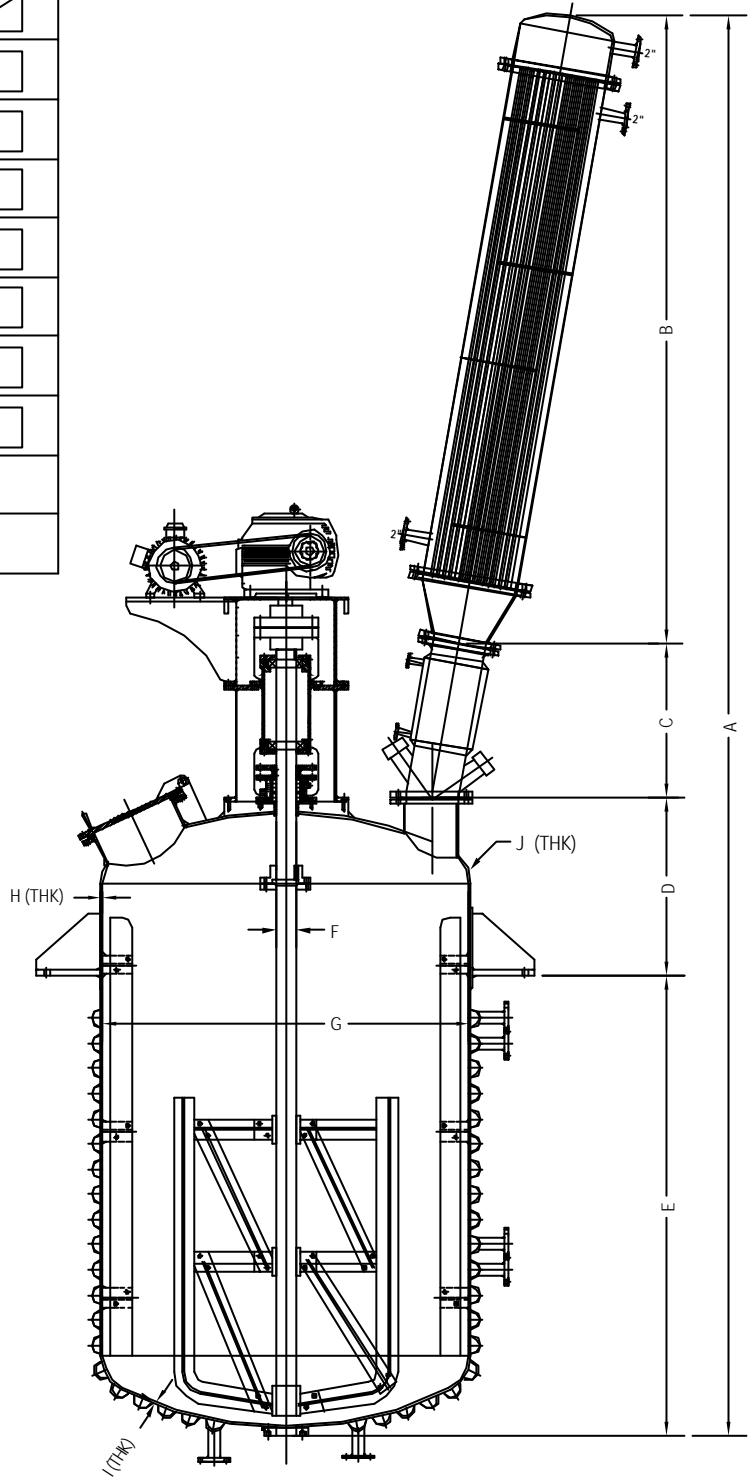


TYPES OF BLADE	<input checked="" type="checkbox"/>
SINGLE ANCHOR	<input type="checkbox"/>
DOUBLE ANCHOR	<input type="checkbox"/>
GATE	<input type="checkbox"/>
PADDLE	<input type="checkbox"/>
FLAT BLADE TURBINE	<input type="checkbox"/>
MARINE PROPELLER	<input type="checkbox"/>
<b>CURVED BLADE TURBINE</b>	<input type="checkbox"/>
BLADE RPM.	
<b>CONDENSER COOLING AREA</b>	



CAPACITY	A	B	C	D	E	F	G	H	I	J	K	M

6	GEARBOX	CENTER		
5	MOTOR	H.P.		
4	SHAFT	<input type="checkbox"/> 316	<input type="checkbox"/> 304	<input type="checkbox"/> MS
3	LIMPET COIL	<input type="checkbox"/> SA312 TP 304		<input type="checkbox"/> M.S.
2	DISH. (TORISPHERICAL.)	<input type="checkbox"/> SA240Gr:316	<input type="checkbox"/> SA240Gr:304	<input type="checkbox"/> M.S.
1	SHELL	<input type="checkbox"/> SA240Gr316	<input type="checkbox"/> SA240Gr304	<input type="checkbox"/> M.S.
NO.	DESCRIPTION.	MATE.	MATE.	MATE.

**S . S . ENGINEERING**

FAC. & OFF. :- C 1-B, HATKESH UDYOG NAGAR, KASHI MIRA - BHAYANDAR ROAD, MUMBAI-401 104.

TEL. :- (0) :- 2811 15 41  
: 2813 16 48  
FAX.No (91-22) :2812 54 78

---

**CLIENT :-**

**TITLE :- LIMPET REACTION VESSEL WITH VERTICAL CONDENSER**

**ENQ.No. :-** **DATE. :-**

CONV. 002 01